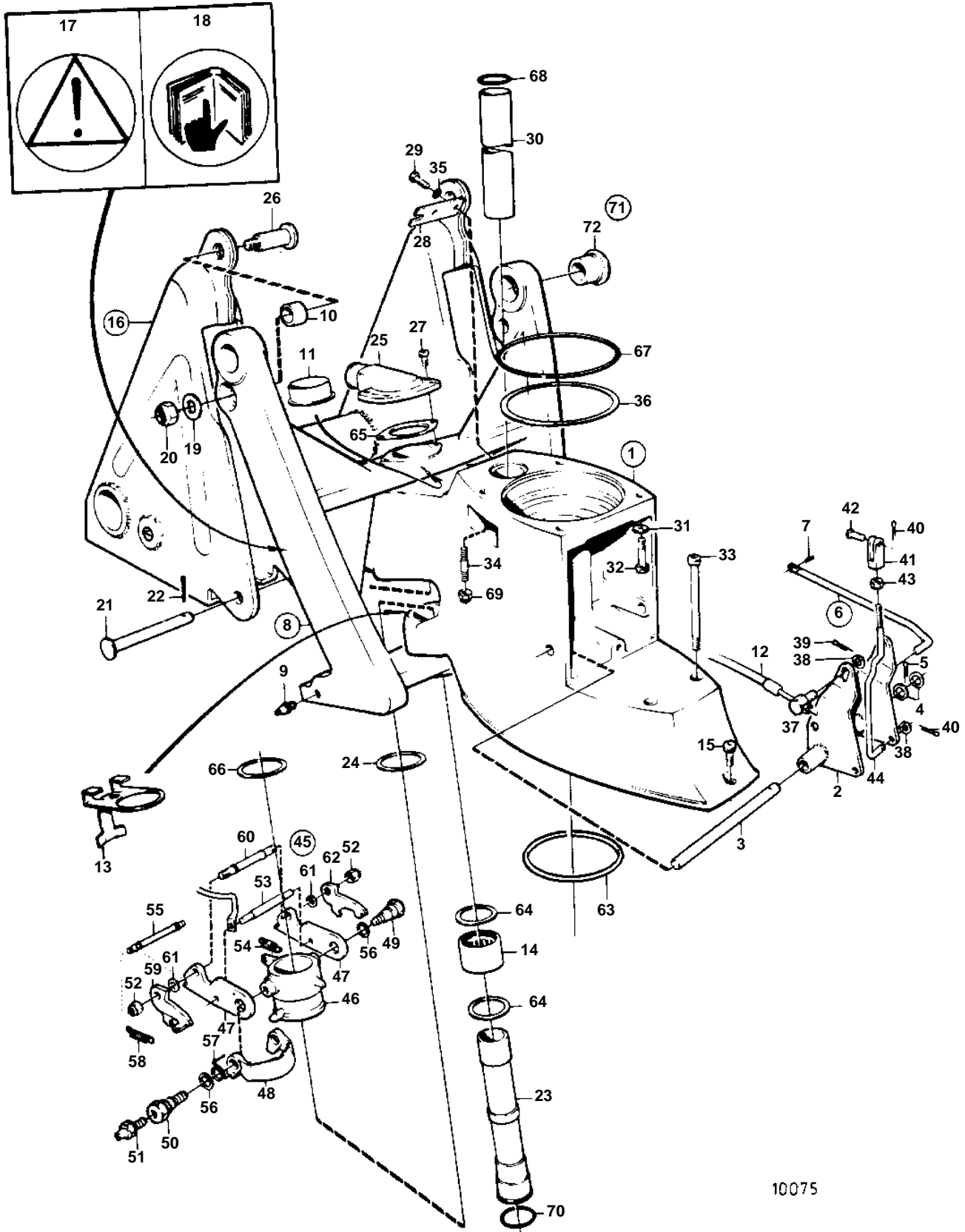


DRIVE SP-A,SP-A1



10075

DRIVE SP-A,SP-A1

REF	PART NO.	QTY	DESCRIPTION	NOTES
1	854033	1	Intermediate housing	
2	897829	1	• Gear yoke	
3	897447	1	• Shaft	
4	897511	2	• Washer	
5	17253	1	• Cotter pin	IK
6	851412	1	• Reverse locking rod	
7	967556	1	• • Spring pin	
8	854100	1	Suspension fork	
9	940194	1	• Nipple	
10	852912	2	• Bushing	
11	853062	1	• Bushing	
12		X	CONTROL CABLE	SEE GROUP 9
13	853967	1	Guide washer	
14	183391	1	Needle bearing	
15	941809	1	Screw	
16	854550	1	Cylinder anchorage	
17	853717	1	• Decal	
18	853716	1	• Decal	
19	853071	2	Washer	
20	946672	2	Lock nut	
21	853309	2	Clevis pin	
22	967707	2	Cotter pin	
23	814386	1	Tube	
24	897696	2	Washer	
25	854031	1	Hose connection	
26	853308	2	Shoulder screw	
27	941813	2	Screw	
28	853078	1	Cable attachment	
29	940168	2	Screw	
30	897644	1	Tube	
31	853095	2	Washer	
32	959456	2	Allen head screw	
33	941808	2	Screw	
34		2	STUD BOLT	INCLUDED IN UPPER GEAR UNIT.
35	940191	2	Washer	
36	943252	X	Adjusting washer	TH = 0,05 MM
36	943866	X	Adjusting washer	TH = 0,10 MM
	943867	X	Adjusting washer	TH = 0,20 MM
36	967557	X	Adjusting washer	TH = 0,30 MM
36	943868	X	Adjusting washer	TH = 0,40 MM
37	804312	1	Cube	
38	940191	2	Washer	
39	17276	1	Cotter pin	
40	17253	2	Cotter pin	
41	813954	1	Control fork	
42	192662	1	Clevis pin	
43	940190	1	Nut	
44	897448	1	Control rod	
45	854035	1	Reverse tilt inhibit	
46	851402	1	• Bearing sleeve	
47	814391	2	• Reverse tilt inhibit	
48	851403	1	• Lock brace	
49	851423	1	• Pin	
50	854344	1	• Pin	
51	940194	1	• Nipple	
52	943197	2	• Nut	INCLUDED IN REPAIR KIT 876265 FOR ASTERN LEVER.
53	851424	1	• Stop arm	INCLUDED IN REPAIR KIT 876265 FOR ASTERN LEVER.
54	832534	1	• Spring	INCLUDED IN REPAIR KIT 876265 FOR ASTERN LEVER.
55	814399	1	• Shaft	INCLUDED IN REPAIR KIT 876265 FOR ASTERN LEVER.

DRIVE SP-A,SP-A1

REF	PART NO.	QTY	DESCRIPTION		NOTES
56	943194	2	• Washer		INCLUDED IN REPAIR KIT 876265 FOR ASTERN LEVER.
57	814396	1	• Spring		INCLUDED IN REPAIR KIT 876265 FOR ASTERN LEVER.
58	814332	2	• Spring		INCLUDED IN REPAIR KIT 876265 FOR ASTERN LEVER.
59	814392	1	• Spring hook		INCLUDED IN REPAIR KIT 876265 FOR ASTERN LEVER.
60	814419	1	• Shaft		INCLUDED IN REPAIR KIT 876265 FOR ASTERN LEVER.
61	814422	2	• Spacer washer		INCLUDED IN REPAIR KIT 876265 FOR ASTERN LEVER.
62	814393	1	• Spring hook		INCLUDED IN REPAIR KIT 876265 FOR ASTERN LEVER.
63	925256	1	O-ring	IK	INCLUDED IN COMPLETE DRIVE UNIT. INCLUDED IN REPAIR KIT 876265 FOR ASTERN LEVER.
64	181620	2	Sealing ring	IK	INCLUDED IN REPAIR KIT 876265 FOR ASTERN LEVER.
65	814356	1	Seal	IK	INCLUDED IN REPAIR KIT 876265 FOR ASTERN LEVER.
66	814390	1	Washer		INCLUDED IN REPAIR KIT 876265 FOR ASTERN LEVER.
67	925259	1	O-ring	IK	INCLUDED IN REPAIR KIT 876265 FOR ASTERN LEVER.
68	125017	2	O-ring	IK	INCLUDED IN REPAIR KIT 876265 FOR ASTERN LEVER.
69	941885	2	Nut		INCLUDED IN REPAIR KIT 876265 FOR ASTERN LEVER.
70	941820	1	O-ring	IK	INCLUDED IN REPAIR KIT 876265 FOR ASTERN LEVER.
71	876279	1	Bushing kit		
72	853223	2	• Bushing, BUSHING	IK	REPL BY 876279. INCLUDED IN REPAIR KIT 876265 FOR ASTERN LEVER.
	876265	1	• Repair kit, REV TILT INH.		(876075)